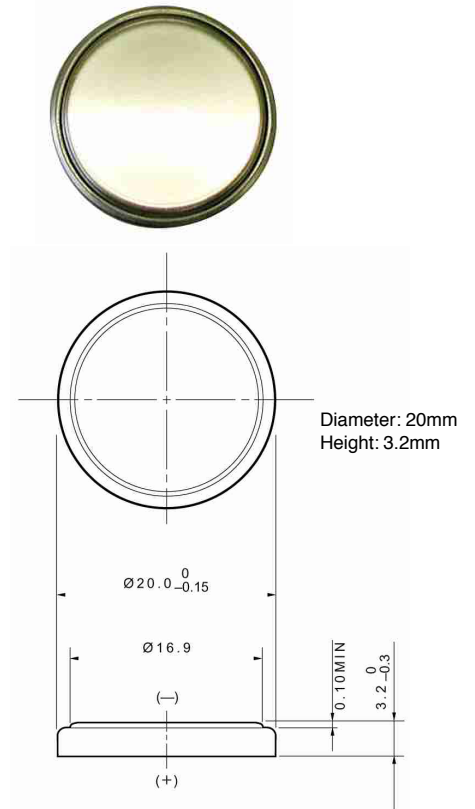


**Description** : Flat Lithium Battery  
**Chemical system** : Lithium Manganese Dioxide  
**Nominal voltage** : 3 Volts  
**Nominal capacity** : 220mAh  
**Dimensions** :  $\varnothing 20.0 \times 3.2\text{mm}$   
**Shelf life** : 5 years at room temperature  
**Average weight** : 3.2 grams  
**Application** : Computer memory back up, Photo  
**Operating temperature** :  $-10^{\circ}\text{C}$  to  $+60^{\circ}\text{C}$

### Cross References:

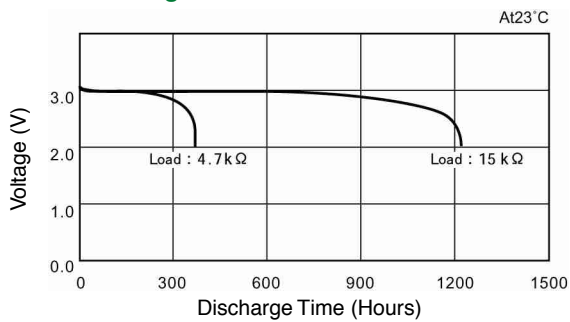
IEC	JIS	Eveready	Varta	Duracell
CR2032	CR2032	ECR2032	CR2032	DL2032

Model No.: **CR2032**

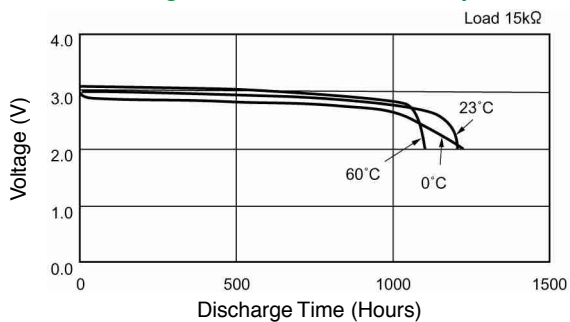


**Dimension Drawing**

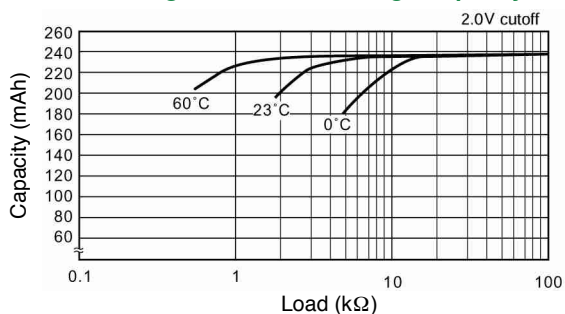
### Discharge Characteristics on Load



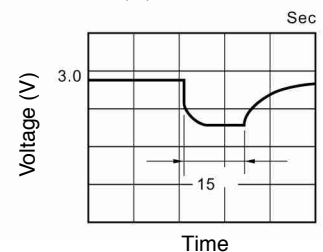
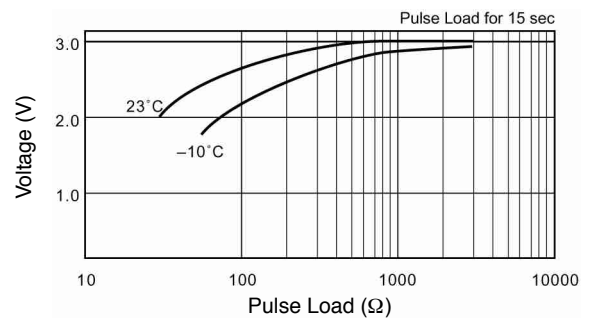
### Discharge Characteristics on Temperature



### Discharge Load vs. Discharge Capacity



### Discharge Characteristics on Pulse Load (Discharge depth 40%)



The information (subject to change without prior notice) contained in this document is for reference only and should not be used as a basis for product guarantee or warranty. For applications other than those described here, please consult your nearest GP Sales and Marketing Office or Distributors.